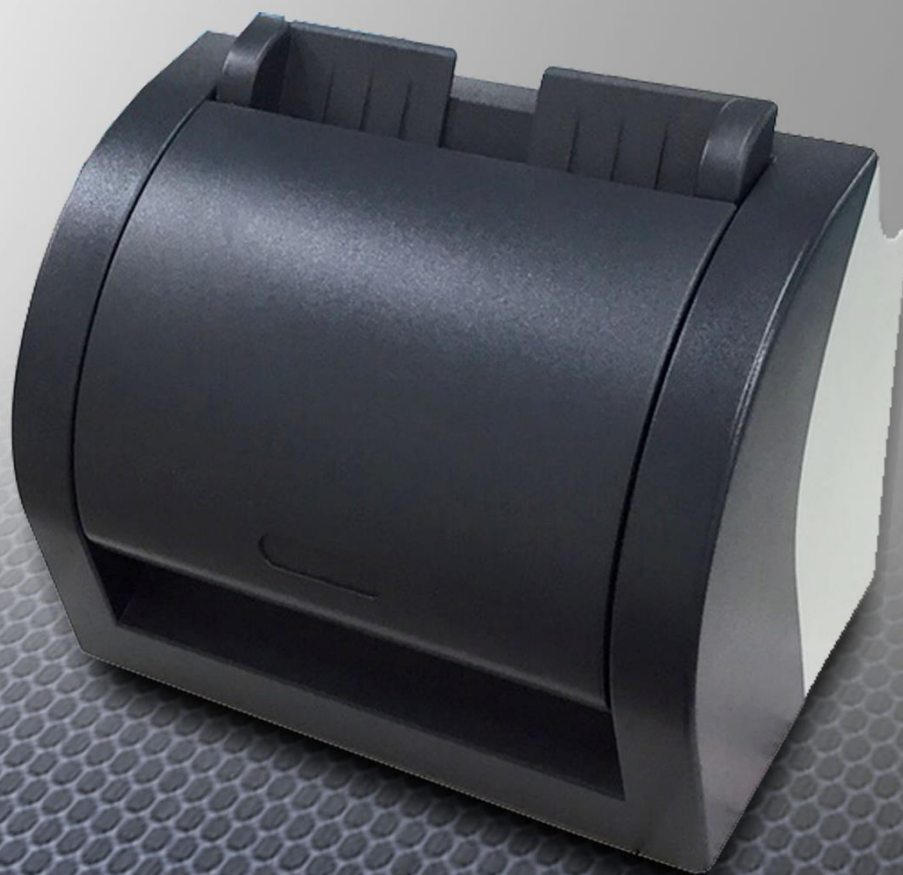




# MIS-200BT

HIGHSPEED BLUE TOOTH IMAGE SCANNER

WITKE MIS200BT scanner is a high speed and compact counter top BT OMR image scanner with high performance WITEK field proven OMR software. It has been spread out for over 50 countries



High speed gaming scanner  
with field proven technology

# Compact & High speed

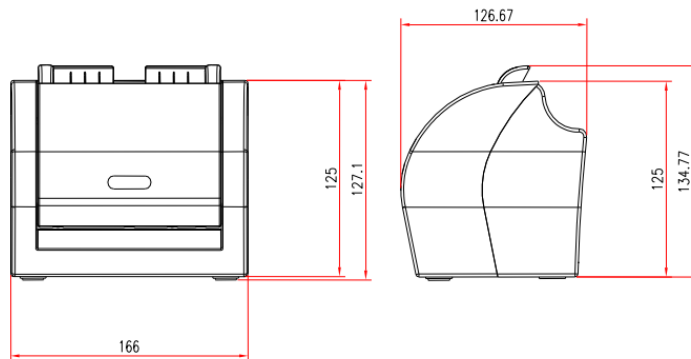


MIS200 provides high performance with very high speed OMR image scan. It has a simple and stand alone compact design suitable for any commercial location .It is also made of industrial components to offer long life expectancy and durability Any OS like Window, Linux and Android drivers are ready for the developers with easy software integration WITEK OMR form definition and its SDK achieve the customers goal for high satisfaction with MIS200E.

## Hardware Specification

### MIS200E (LINUX or WINDOW OS or Android compatible)

Items	Brief Spec.	Items	Brief Spec.
Scan Source	Single Red drop CIS (Contact Image Sensor)	Scan Speed	Max.350mm/sec
Scan Size	82.55mm	Resolution	200 dpi (Option: 300dpi)
Output format	1 bit(B/W), 8bit(256Gray)bmp. Image file(jpg,tiff etc)	Interface	USB2.0, BT
Power	+12 VDC 5% @ 1.0A	Supported OS	Window, Linux
Weight	2.10 kg( including out box)	Dimension	136mm(h) x 166mm(w) x 127mm(d)
Temperature	Operating: 0° C to +50° C Storage: -25° C to +60° C	Humidity	Operating: 10 to 85% RH non-condensing Storage: 5 to 95% RH non-condensing



Product specifications, size and shape are subject to change without notice and actual product appearance may differ from that depicted herein