

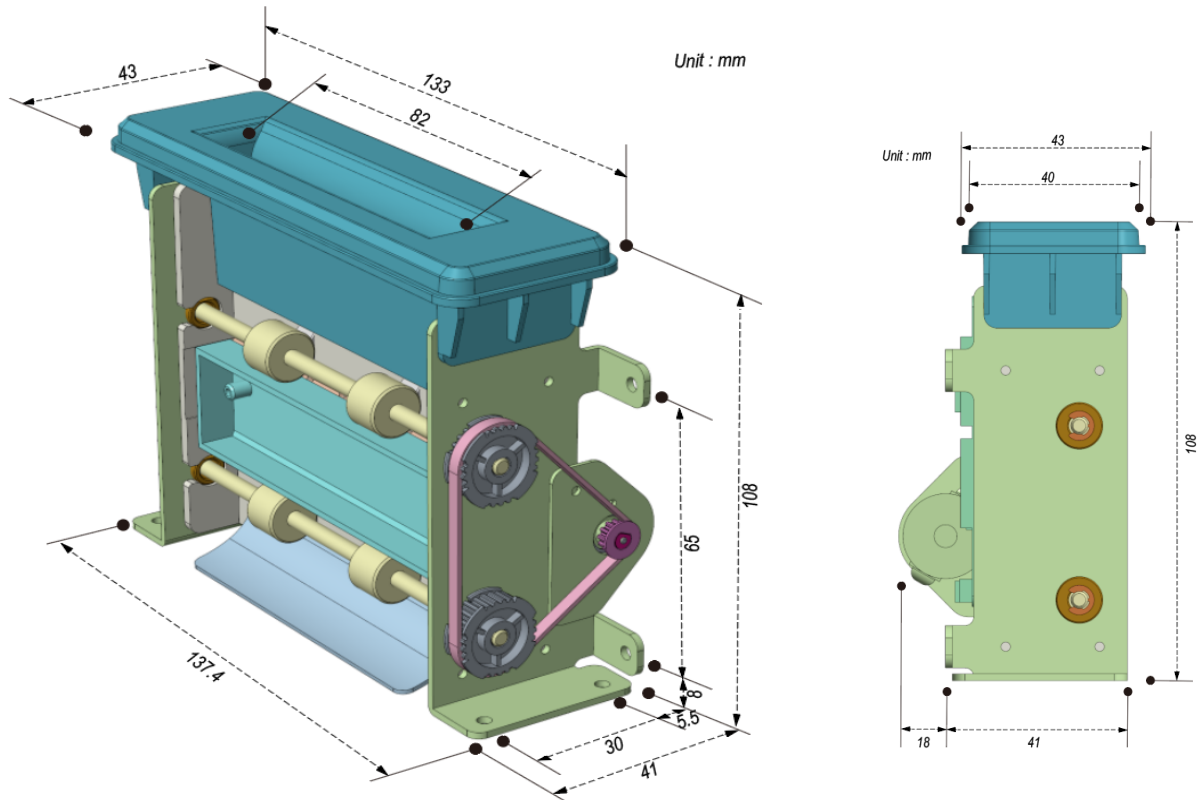
PRELIMINARY SPECIFICATIONS

IMAGE SCANNER MECHANISM

Type:	Image Scanner Mechanism	Scanning Speed	250 mm/sec
Unit name:	SSTB7-R	Image Format	Bmp, jpg
Scan Size	82mm	Output Format	8bit(256gray)
Paper path	L scan path	Interface	High-Speed USB 2.0
Scanning Size	82mm(w) x 350mm(h)	SDK	Android SDK
Paper Thickness	0.1mm ~ 0.2mm	Power	12V DC 1.5A
Scanning Element	Contact Image Sensors (CIS)	MTBF	Approx. 50,000 hours (CIS only)
Scanning Resolution	300DPI	Weight	Apporx. 7.00KGS
Scanning	Grayscale, Black and White	Dimensions(WxDxH)	137.4mm x 108mm x43mm

***SSTB7 description**

- L-Shaped (Paper path)
- World most compact scanner



Product specifications, size and shape are subject to change without notice and actual product appearance may differ from that depicted herein